

# RailFast.

## INSTALLATION INSTRUCTIONS

### RailFast with Lay Down Handle

Model: 311-NLH

#### Antenna Mount for 1" and 7/8" Railings

The RailFast Antenna Mount is packaged assembled. It will be necessary to take it apart prior to installation on your railing. In so doing you'll readily see how it goes together. But, please read these instructions:

Unthread the bolt. Then pull the threaded base and rail clamp pieces away from the rail strap assembly. Once apart, notice that the device consists of the following pieces (reference numbers refer to exploded diagram on back):

- 1) Bolt
- 2) Handle
- 3) Threaded Base Piece
- 4) Rail Clamp Piece
- 5) Tension Pin
- 6) Rail Strap
- 7) Washer
- 8) Shim for 7/8 Rail

#### INSTALLATION

1. Slide rail strap over 1" rail with the square hole in the strap upward, if possible. Mounting on a vertical rail will locate the strap holes in a horizontal plane.
2. If the rail is 7/8" diameter, place the shim on the inside of the "U" in the rail strap.
3. Insert the tension pin, round end down through the square hole, keeping the threaded hole at a right angle to the rail. The round end of the tension pin fits into the round hole. Hold this assembly firmly in place, then ...
4. Slide the rail clamp piece over the end of the rail strip until snug against the rail.

Now, stop for a minute and read this important note:

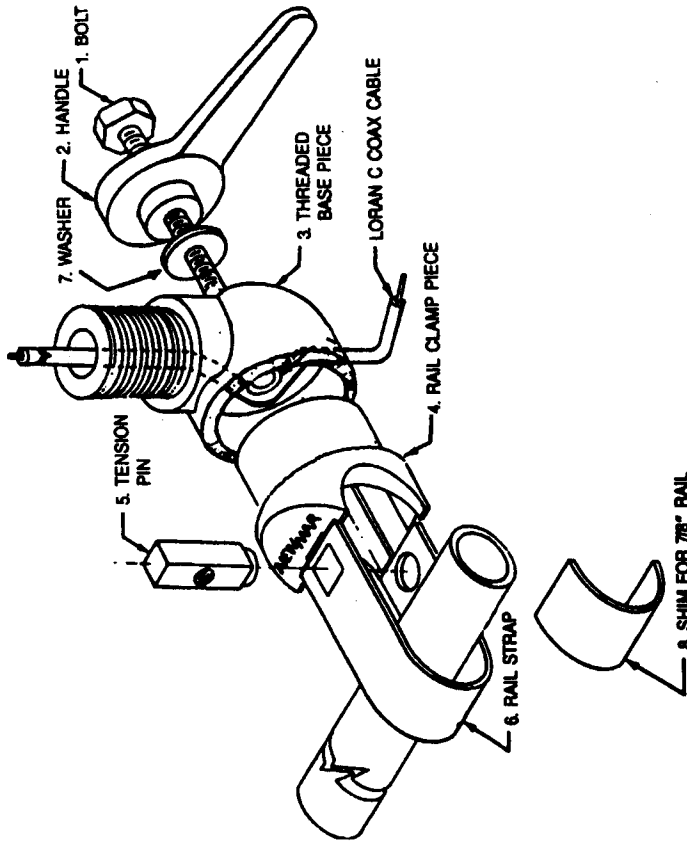
*If you plan to install a Loran Antenna where the cable feeds out the bottom of the coupler and through the mount, this must be done before the threaded base piece is assembled on the rail.*

To accomplish this, pull the cable through the center of the threaded section only and thread the coupler on the piece, rotating the cable as you go to prevent kinking and twisting. When the coupler is securely seated pull the cable through the bottom hole and press into the "C" shaped wire channel to prevent chafing.

5. Slide the threaded base piece over the rail clamp piece and thread the bolt through the handle, through the washer and into the tapped hole in the tension pin.
  6. Adjust the position of the RailFast to the desired angle and tighten, using *maximum hand force* to assure a tight assembly. Do not use pliers or other devices.
  7. If not already done, assemble your antenna to the RailFast Mount.
  8. If, when the assembly is completed, you would prefer a different position for the handle when tightened fully, use a pencil and extend a line from the center of the bolt head onto the handle directly on the center line of the handle. Then make another line on the bolt head where you want the center line of the handle to be positioned.
- Then unscrew the bolt from the mount and push the bolt out of the handle assembly. Rotate and reset bolt so the center line of the handle aligns with the second line drawn on the bolt head. Screw bolt back into mount and tighten. Don't forget the washer. \* Handle should now tighten to desired position within 15 degrees.

## RAILFAST -- MODEL 311-NLH Installation Drawing

We sincerely hope that the patented RailFast Antenna Mount is satisfactory for your application.



RAILFAST MOUNT WITH LAYDOWN HANDLE  
MODEL: 311-NLH

RAILFAST IS COVERED BY U.S. PATENT NUMBER 4546949

# NEWMAR

U.S.A.  
P.O. Box 1306  
Newport Beach, CA 92663  
Phone: (714) 751-0488  
Fax: (714) 957-1621  
E-mail: sales@newmarpower.com

www.newmarpower.com

\*NYLON MODEL ONLY

MRLFASTH-D