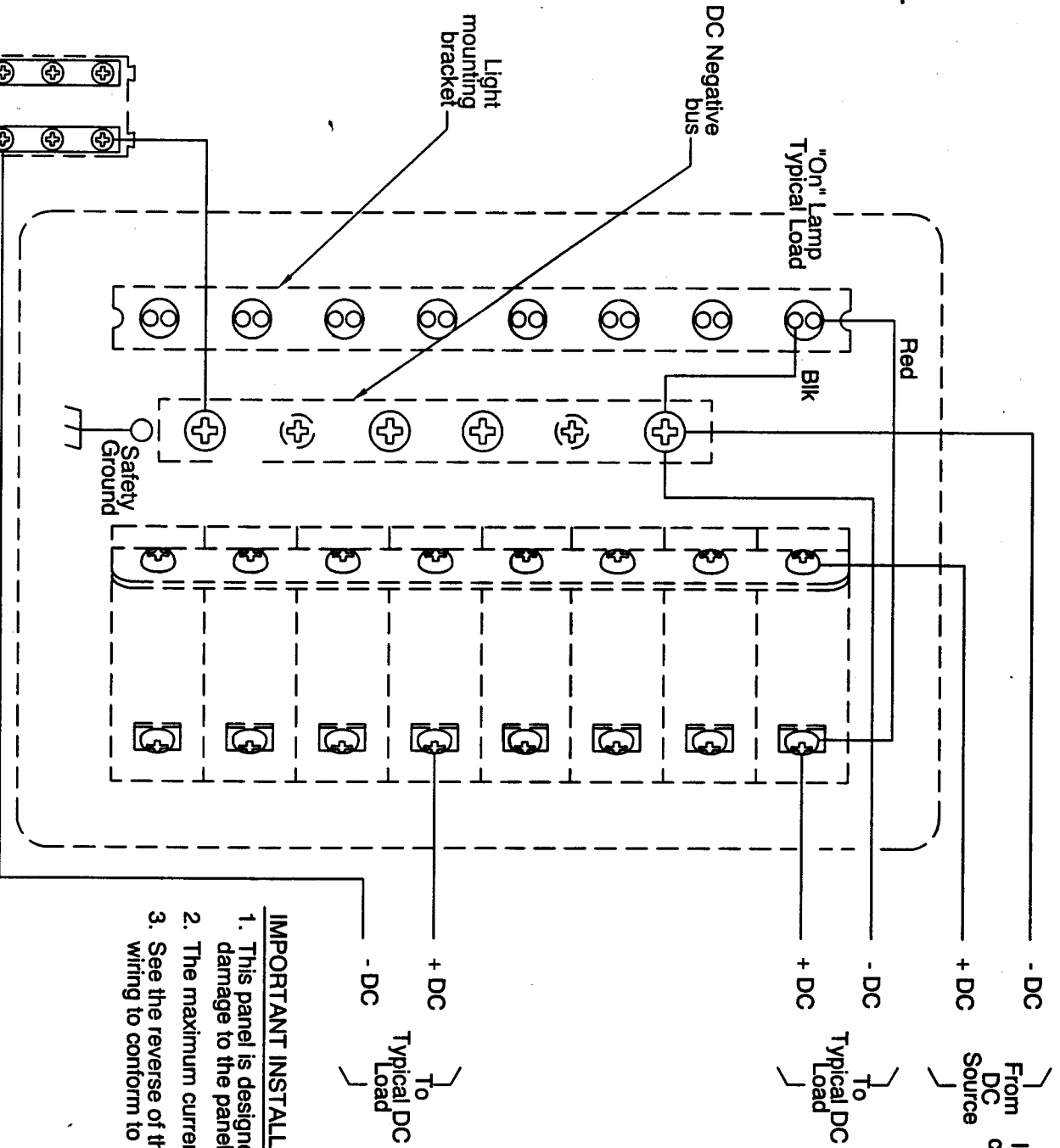


DC WIRING DIAGRAM

REVISIONS		DATE	APPROVED
REV	DESCRIPTION		
NC	INITIAL RELEASE	10-16-02	



- IMPORTANT INSTALLATION NOTES**
1. This panel is designed for 12 or 24 VDC. Mixing voltages will result in damage to the panel and/or provided equipment.
 2. The maximum current capacity of the installed bus bar is 50 amps.
 3. See the reverse of this sheet for important information regarding panel wiring to conform to USCG regulations and ABYC standards.

NEWMAR
 2911 W. GARRY AVE. SANTA ANA, CA 92704
 TEL 714-751-0488 FAX 714-957-1621

TOLERANCES UNLESS OTHERWISE SPECIFIED
 DECIMAL PLACES
 .XX = ± .03
 .XXX = ± .010

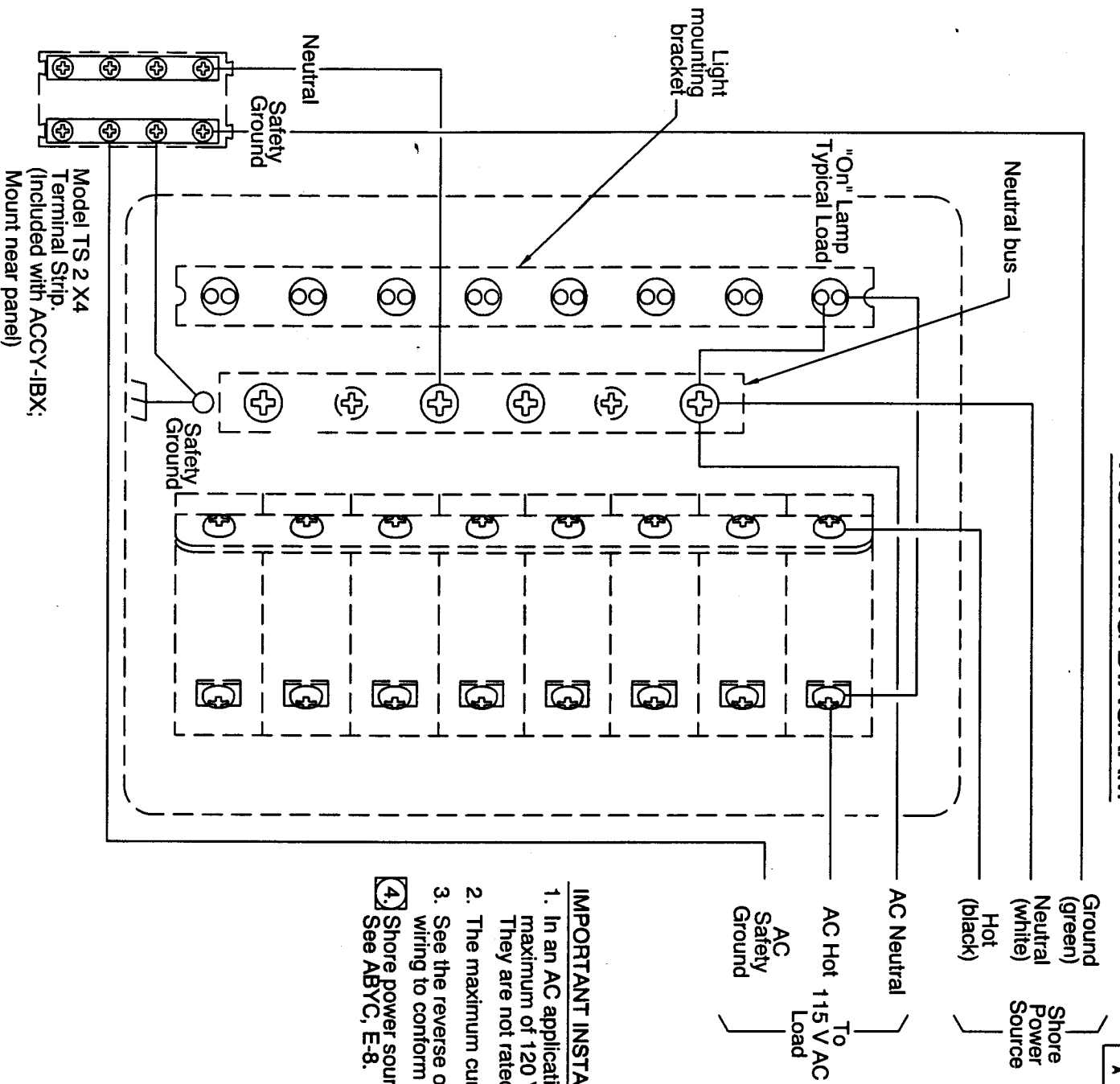
APPROVALS: DATE
 DRAWN: R. ANDERSON 06-26-2002
 CHECKED: []
 DATE: []

WIRING DIAG. FOR DC
 APPLICATION OF ACCY-1X &
 ACCY-IBX ACCESSORY PANELS

SCALE: NONE SIZE: A DRAWING NO.: 14358-5 REV.: NC

SHEET 1 OF 1

AC WIRING DIAGRAM



REVISIONS		DATE	APPROVED
REV	DESCRIPTION		
NC	INITIAL RELEASE	08-21-02	
A	REV 75-2X4 WIRING & LABELING	10-16-02	

Shore Power Source 4.

Ground (green)
Neutral (white)
Hot (black)

AC Neutral
AC Hot 115 V AC
To Load
AC Safety Ground

IMPORTANT INSTALLATION NOTES

1. In an AC application, 40 and 50 Ampere circuit breakers are rated to a maximum of 120 V AC line-to-neutral or 240 V AC line-to-line. They are not rated for 240 V AC line-to-neutral systems.
2. The maximum current capacity of the installed bus bar is 50 amps.
3. See the reverse of this sheet for important information regarding panel wiring to conform to USCG regulations and ABYC standards.
4. Shore power source must originate from a double pole circuit breaker. See ABYC, E-8.

NEWMAR

2911 W. GARRY AVE. SANTA ANA, CA. 92704
TEL 714-751-0488 FAX 714-957-1621

WIRING DIAG. & NOTES FOR AC APPLICATION OF ACCY-IBX ACCESSORY PANEL

APPROVALS	DATE
DRAWN R. ANDERSON	08-21-02
CHECKED	
BY	

SCALE	SIZE	DRAWING NO.	REV.
NONE	A	14358-6	A

SHEET 1 OF 1

FIVE