

# BUS BAR

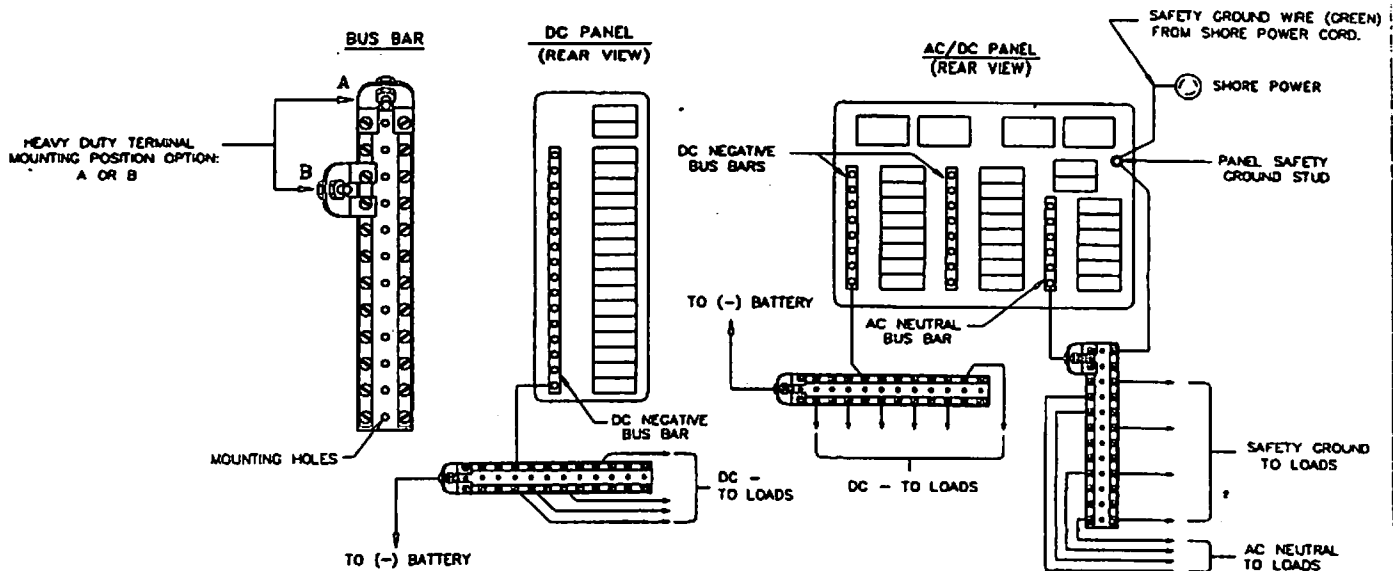
## Installation Instructions

This bus bar is included with your NEWMAR Elite Series Electrical Panel for your optional use. It can be used as an additional tie point for AC grounds (Safety/Earth Ground), AC Neutral or DC Negative (-) Ground.

A heavy duty terminal is attached to the bus bar for securing a large gauge DC negative or AC neutral cable, if necessary. This terminal may be attached to the bus bar for connection to one or both of the terminal strips, as illustrated below.

**CAUTION:** Do not replace brass screws on bus bars with any screws greater than 3/8" in length. Any screw longer than that will "bottom out" of the Bus Bar assembly.

### BUS BAR WIRING EXAMPLES



**M-ESBUSS-D**

# NEWMAR®

**U.S. HEADQUARTERS**  
P.O. Box 1306, Newport Beach, CA 92663  
Phone: 714-751-0488 Fax: 714-957-1621  
E-Mail: sales@newmarpower.com

**ELECTRONIC POWER PRODUCTS**  
COMMUNICATION • NAVIGATION  
www.newmarpower.com

**EURO WAREHOUSE**  
Laanstraat 2, 3762 KD Soest, Holland  
Phone: +31-35-603-2494 Fax: +31-35-603-2149  
E-Mail: newmareuro@newmarpower.com

# Panel Wiring Notes

All wiring to and from your NEWMAR electrical panel should conform to USCG 33 CFR 183-1 and ABYC Standards E8 (AC Systems on Boats) or E9 (DC Systems on Boats).

For copies of these documents contact:

☐ Superintendent of Documents  
Government Printing Office  
Washington DC 20402

Request 33 CFR 183, Subpart 1 .

☐ American Boat and Yacht Council  
3069 Soloman's Island Road  
Edgewater, MD 21037

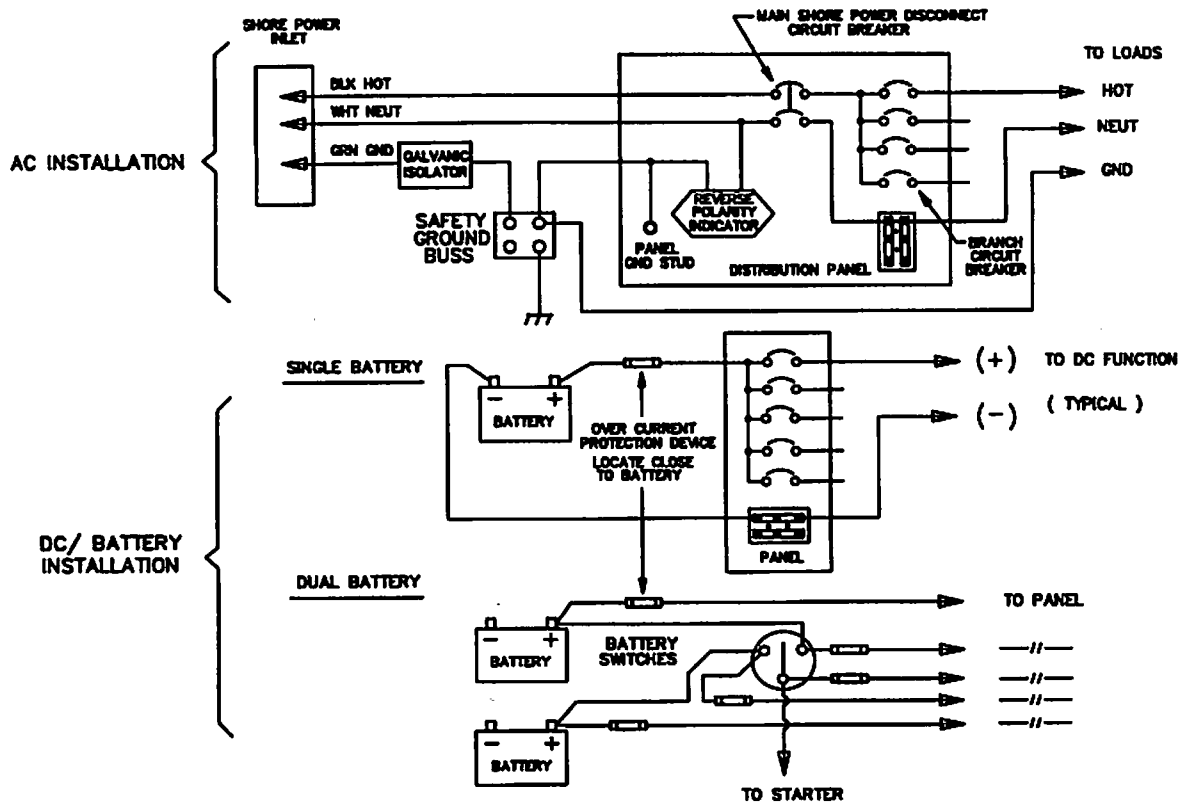
Request: Standards and Recommended  
Practices for Small Craft  
AC Systems - Section E8  
DC Systems - Section E9

**CAUTION:** This installation should only be performed by a competent marine electrician or someone thoroughly familiar with marine electrical systems.

Allowable Amperage of Conductors when 1 to 2 Conductors are bundled, 105° C Insulation, per ABYC E8, page 14.

Conductor Size	Outside Engine	Inside Engine
AWG	Spaces	Spaces
18	20	17
16	25	21.3
14	35	29.8
12	45	38.3
10	60	51
8	80	68
6	120	102

**Note:** These illustrate typical installations—consult ABYC Section E8 or E9 for your specific system



M-PNLWIR-D  
As of July 2004

**NEWMAR**<sup>®</sup>

ELECTRONIC POWER PRODUCTS  
COMMUNICATION • NAVIGATION  
www.newmarpower.com

P.O. Box 1306  
Newport Beach,  
California 92663

Phone: 714-751-0488  
Fax: 714-957-1621

E-Mail: sales@newmarpower.com