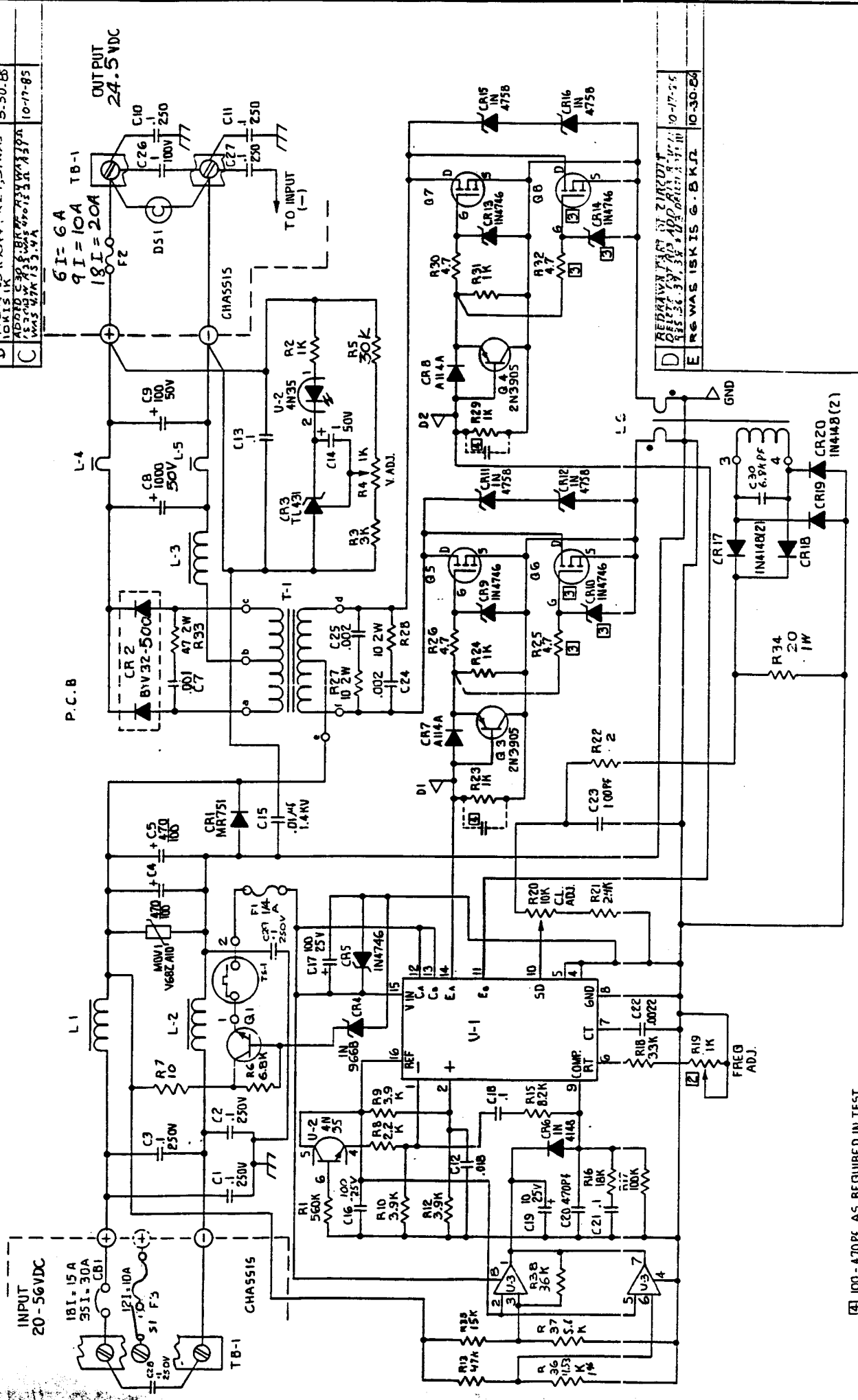


REV	DESCRIPTION	DATE	APPROVED
A	ADDED S.I.	4-26-85	J.E.
B	ADDED C25, 29, 31, C23 WAS 10K15 1K	5-30-85	
C	ADDED C20, 23, 28, 30, 32, 33, 34, 35, 36, 37, 38, 39, 40, 41, 42, 43, 44, 45, 46, 47, 48, 49, 50, 51, 52, 53, 54, 55, 56, 57, 58, 59, 60, 61, 62, 63, 64, 65, 66, 67, 68, 69, 70, 71, 72, 73, 74, 75, 76, 77, 78, 79, 80, 81, 82, 83, 84, 85, 86, 87, 88, 89, 90, 91, 92, 93, 94, 95, 96, 97, 98, 99, 100	10-17-85	



TOLERANCES UNLESS OTHERWISE SPECIFIED	FRACCTIONS INC	ANGLES	DATE
±	±	±	7-11-84
APPROVALS	DESIGNED BY	DRAWN BY	CHKD BY
	A. HUBBARD	T. J. BAILEY	
CHECKED			
J.E.			

NEW MAR
NEWPORT BEACH, CA
48V ISOLATED
11435 P.C.B. ASSY.

SCALE: E C
REV: 11433
SIZE: 11.5" x 17.5"
DRAWING NO.: 11433
DO NOT SCALE DRAWING SHEET

48-24-6I
48-24-9I
48-24-18I

- 4 100-470PF AS REQUIRED IN TEST
 - 5 351 USES ONE MASTER & ONE SLAVE P.C.B.
 - 6 DI & D2 FOR GATE DRIVE FROM MASTER TO SLAVE P.C.B.
 - 7 NOT USED ON 48-12-121
 - 8 ADJUST FOR 14.2 μSEC PERIOD ON D1
- ALL CAPACITORS ARE IN MFD (μF)
ALL RESISTORS ARE IN OHM (Ω) 1/2W 5%
- NOTE: UNLESS OTHERWISE SPECIFIED

REWORK PART BY ZIRKOTT
DELIVERED BY ADP
48-24-6I, 48-24-9I, 48-24-18I
10-17-85

D R.G. WAS 15K15 G-B K K J L
E 10-30-84