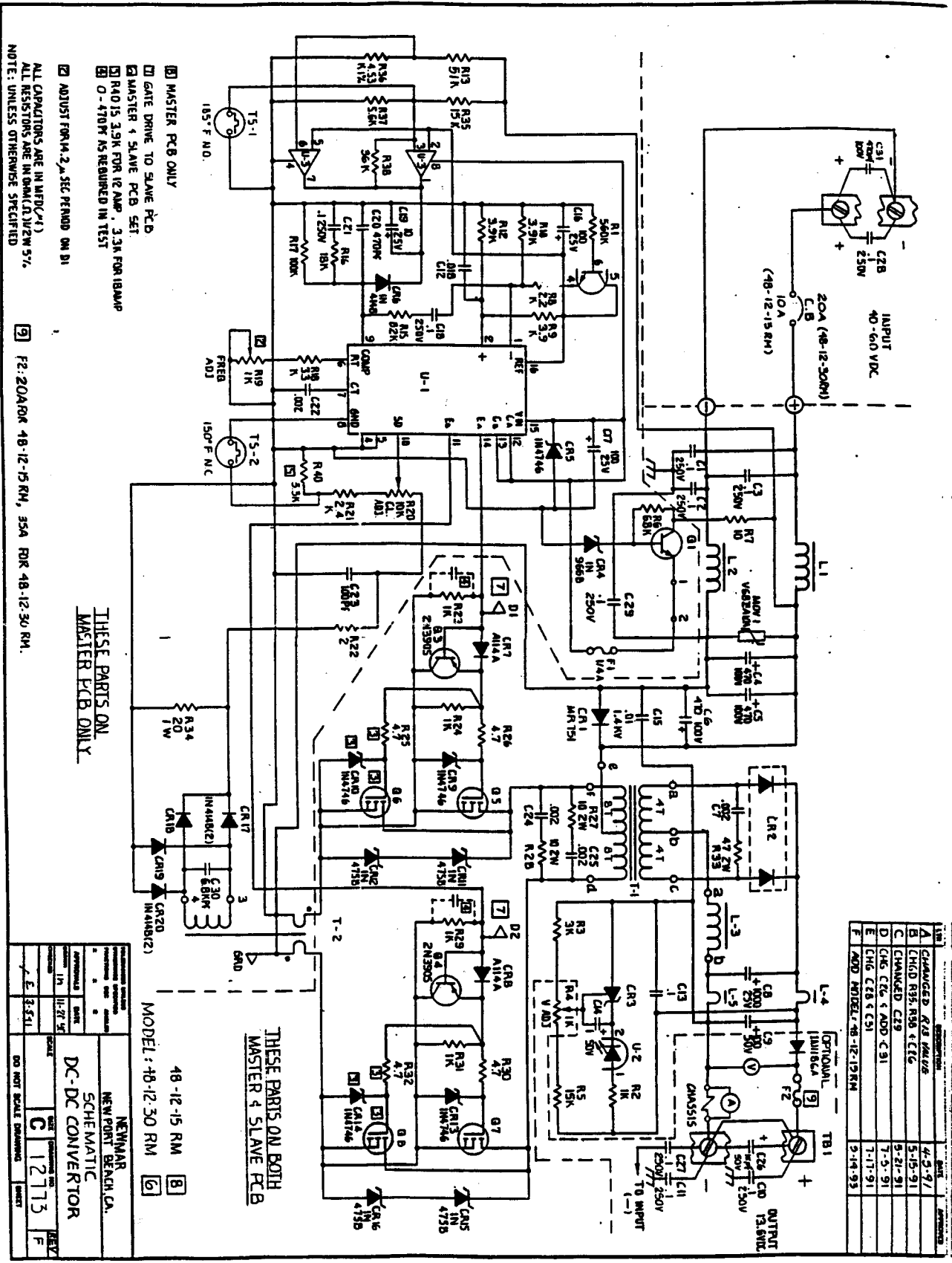


ITEM	DESCRIPTION	QTY	APPROVED
A	CHANGED R28 VALUE	4-5-91	
B	CHGD R35, R36 & C16	5-15-91	
C	CHANGED C29	9-27-91	
D	CHG C26 & ADD C-91	7-5-91	
E	CHG C28 & C-91	7-17-91	
F	ADD MODEL# 48-12-15RM	9-14-93	



- ☐ MASTER PCB ONLY
- ☐ GATE DRIVE TO SLAVE PCB
- ☐ MASTER & SLAVE PCB SET
- ☐ R40 IS 3.9K FOR 12 AMP, 3.3K FOR 18AMP
- ☐ 0-470M AS REQUIRED IN TEST
- ☐ ADJUST FOR 14.2 μSEC PERIOD ON D1

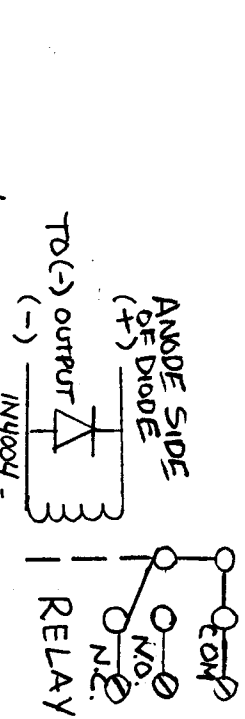
ALL CAPACITORS ARE IN MICRO (μ)
ALL RESISTORS ARE IN OHMS (Ω) UNLESS OTHERWISE SPECIFIED

- ☐ F2: 20AMP 48-12-15 RM, 35A FOR 48-12-30 RM.

THESE PARTS ON MASTER PCB ONLY

THESE PARTS ON BOTH MASTER & SLAVE PCB

NEWMAR	NEW POINT BENCH, CA.
SCHIE MATIC	DC-DC CONVERTOR
REV. 1	DATE 12/17/93
BY C	12/17/93
DO NOT SCALE DRAWING	



PARALLEL / REDUNDANT OPERATION
DC FAILURE ALARM CONTACTS