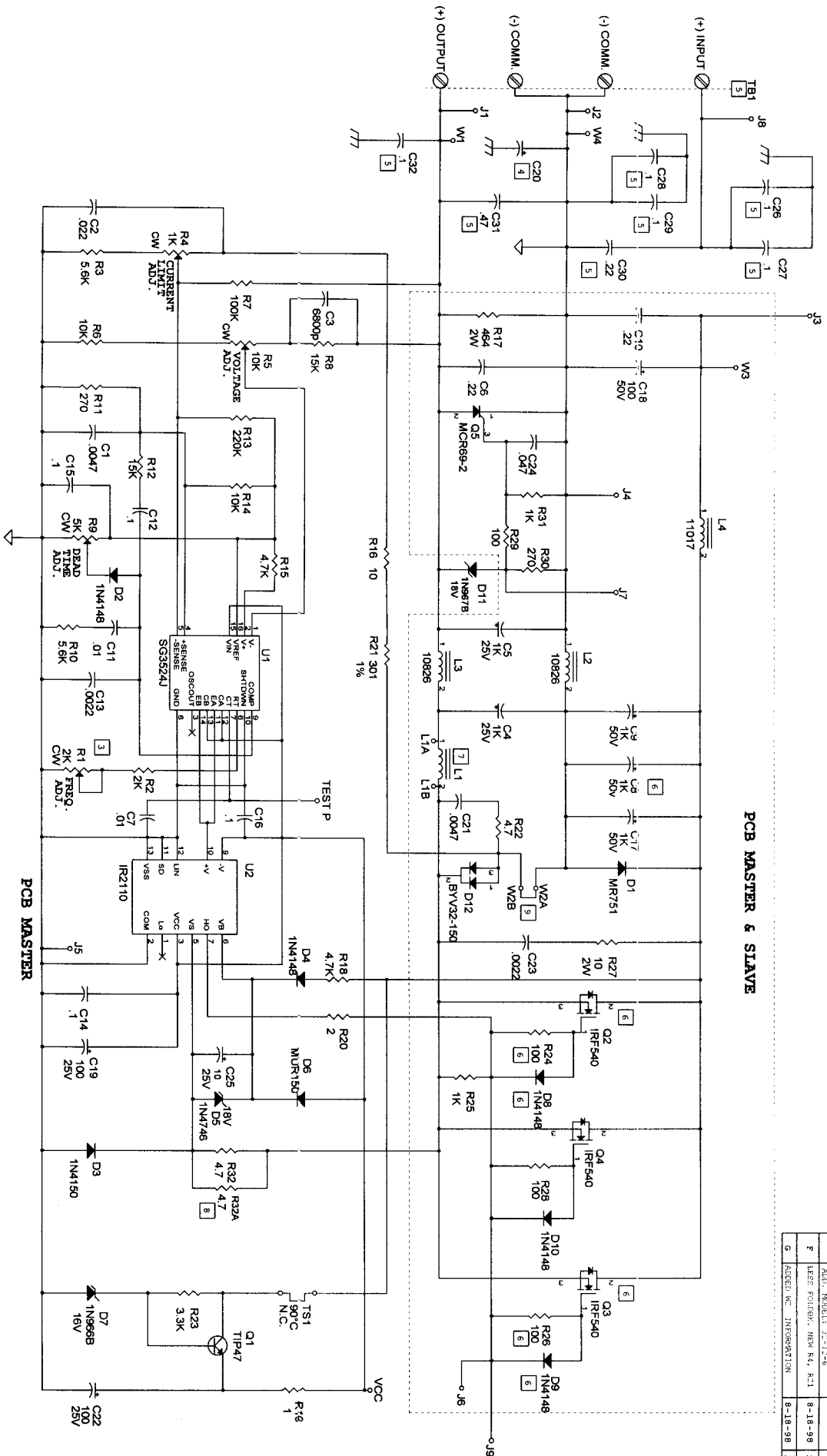


REV.	DESCRIPTION	DATE	ECO
A-B	NEW RELEASE		
C	RELEASE 32-12-56 & -25	4-28-96	2605
D	CHG. VALUE ON R1 & R2	5/9/96	2609
E	CHG. VALUE C28 R4 & R31	10/15/97	2708
F	ADD. MODEL 32-12-6	8-18-98	2749
G	LESS FOLIOLE, NEW R4, R31	8-18-98	2838
	ADDED M.C. INFORMATION	8-18-98	2838

PCB MASTER & SLAVE



PCB MASTER

1. W2 IS 7.5 INCHES FOR 13522-0, -2 ASSEMBLIES
2. W2 IS 10.0 INCHES FOR 13522-1, -9 ASSEMBLIES
3. NOT INSTALLED ON MODELS: 32-12-6, 32-12-10 AND 32-12-15
4. 13531-0 INSTALLED ON MODELS: 32-12-15, 32-12-35 AND 32-12-50
5. 10985-0 INSTALLED ON MODELS: 32-12-6, 32-12-10, AND 32-12-25
6. NOT INSTALLED ON MODELS: 32-12-6, 32-12-10 AND 32-12-25
7. NOT INSTALLED ONLY ON MODELS: 32-12-6, 32-12-10 AND 32-12-15
8. NOT INSTALLED
9. ADJUST FOR 14.2u SEC. PERIOD ON U1 PIN 11.
10. ALL RESISTORS ARE IN OHM, 1/2W, 5%.
NOTE: UNLESS OTHERWISE SPECIFIED.

MODEL	MASTER	SLAVE
32-12-6	13522-1	N/A
32-12-10	13522-1	N/A
32-12-15	13522-0	N/A
32-12-25	13522-1	13522-3
32-12-35	13522-0	13522-2
32-12-50	13522-0	2X13522-2

NEWARK
2811 WEST GARRY AVE
SANTA ANA, CA 92704
TEL: (714) 857-1600
FAX: (714) 857-1600

SCHEMATIC, PCB 32V CONVERTER
Document Number: **13526**

REV. 1 2 3 4 5 6 7 8 9 10 11 12 13 14 15 16 17 18 19 20 21 22 23 24 25 26 27 28 29 30 31 32 33 34 35 36 37 38 39 40 41 42 43 44 45 46 47 48 49 50 51 52 53 54 55 56 57 58 59 60 61 62 63 64 65 66 67 68 69 70 71 72 73 74 75 76 77 78 79 80 81 82 83 84 85 86 87 88 89 90 91 92 93 94 95 96 97 98 99 100