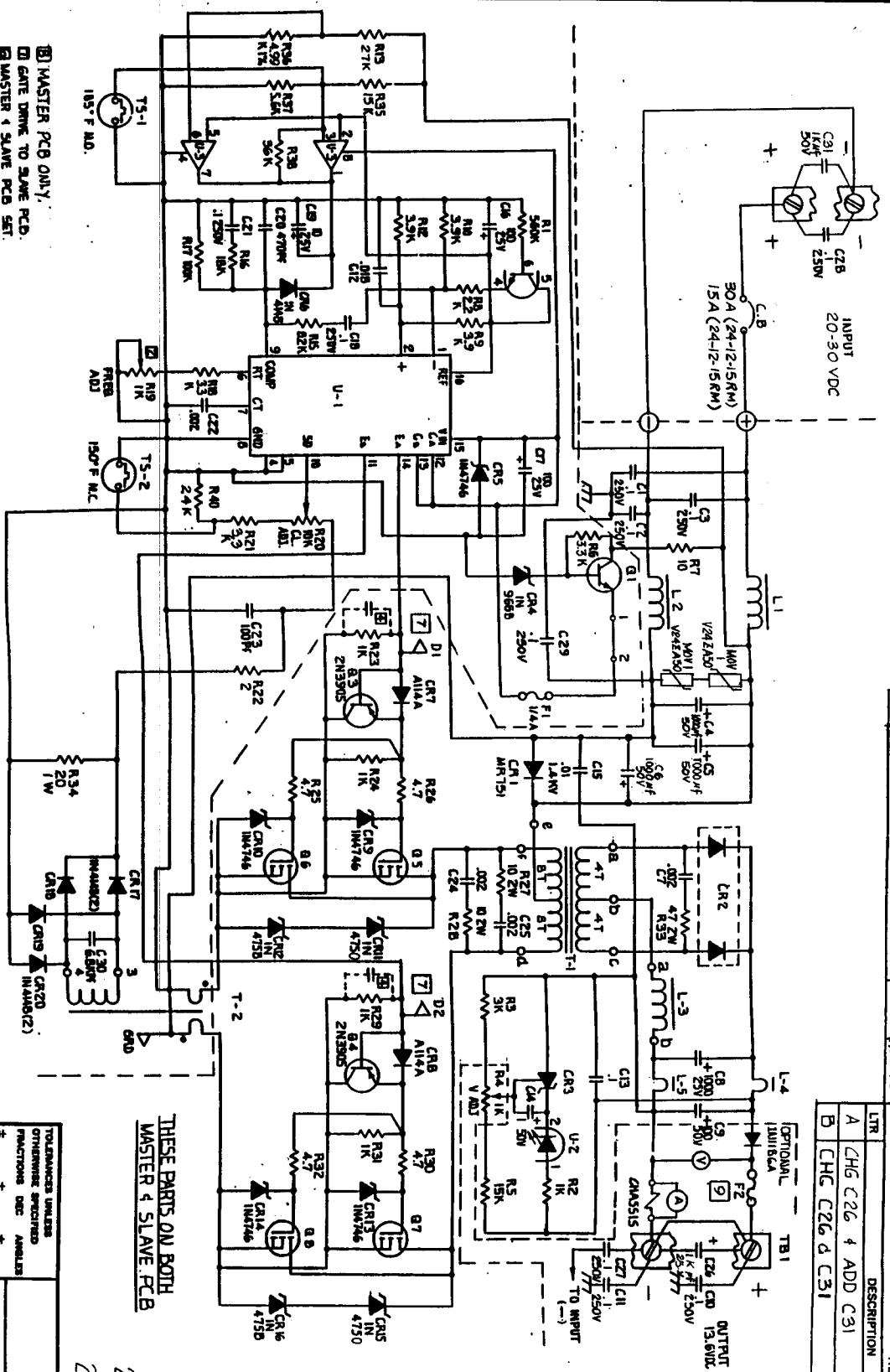


C ADD 24-12-15 RM 8-5-93 *W/446*

REVISIONS

LTR	DESCRIPTION	DATE	APPROVED
A	CHG C26 & ADD C31	7-5-91	
B	CHG C26 & C31	7-17-91	



THESE PARTS ON MASTER PCB ONLY

THESE PARTS ON BOTH MASTER & SLAVE PCB

24-12-15 RM 8
24-12-30 RM 6

- Ⓜ MASTER PCB ONLY.
- Ⓛ GATE DRIVE TO SLAVE PCB.
- Ⓜ MASTER & SLAVE PCB SET.
- Ⓛ 0-470UF AS REQUIRED IN TEST
- Ⓜ ADJUST PWRM-2, SEC PERIOD ON 91

Ⓛ F2, 20A FOR 24-12-15 RM, 95A FOR 24-12-30 RM.

NEWMAR ELECTRONIC PRODUCTS, INC.
REVISION NO. 28231

TOLERANCES UNLESS OTHERWISE SPECIFIED		FUNCTIONS DEC AMPLIES	
±	±	±	±
APPROVALS	DATE	SCALE	
DRAWN J.H. 5/22/91		DO NOT SCALE DRAWING	
SHEETS		SHEET	
NEWMAR		SHEET	
SCHEMATIC		SHEET	
DC-DC CONVERTER		SHEET	
SIZE	DRAWING NO.	REV.	
B	12851	C	