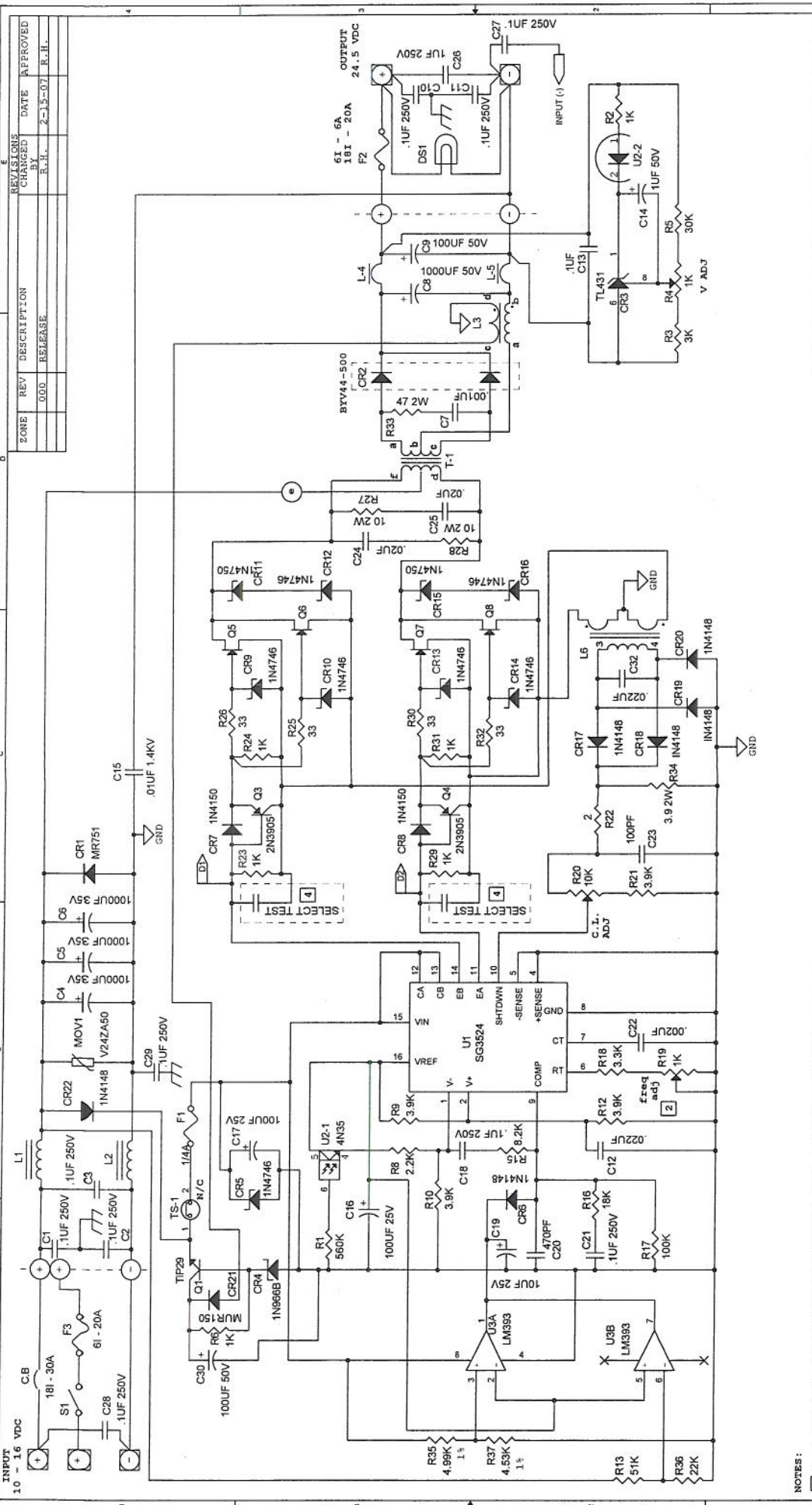


ZONE	REV	DESCRIPTION	DATE	APPROVED
	000	RELEASE	2-13-07	R.H.

APPROVALS	DATE	FILE
DRAWN R. HOWARD	2/15/07	
CHECKER R. HOWARD	2/15/07	

2911 W. GARRY AVE. SANTA ANA CA. 92704
24V ISOLATED SCHEMATIC
 Document Number: SCH14662
 New 000
 Date: Thursday, February 15, 2007
 Sheet 1 of 1



- NOTES:**
- [6] 11.5 VDC MIN. STARTUP VOLTAGE VOLTAGE. THEN OPERATE FROM 10-16VDC FROM LAMP MIN. TO FULL LOAD
 - [4] 0-470PF AS REQUIRED IN TEST
 - [2] Adjust for 14.2 usec period on D1
 - [1] ALL RESISTORS ARE 1/2W 5% UNLESS OTHERWISE NOTED