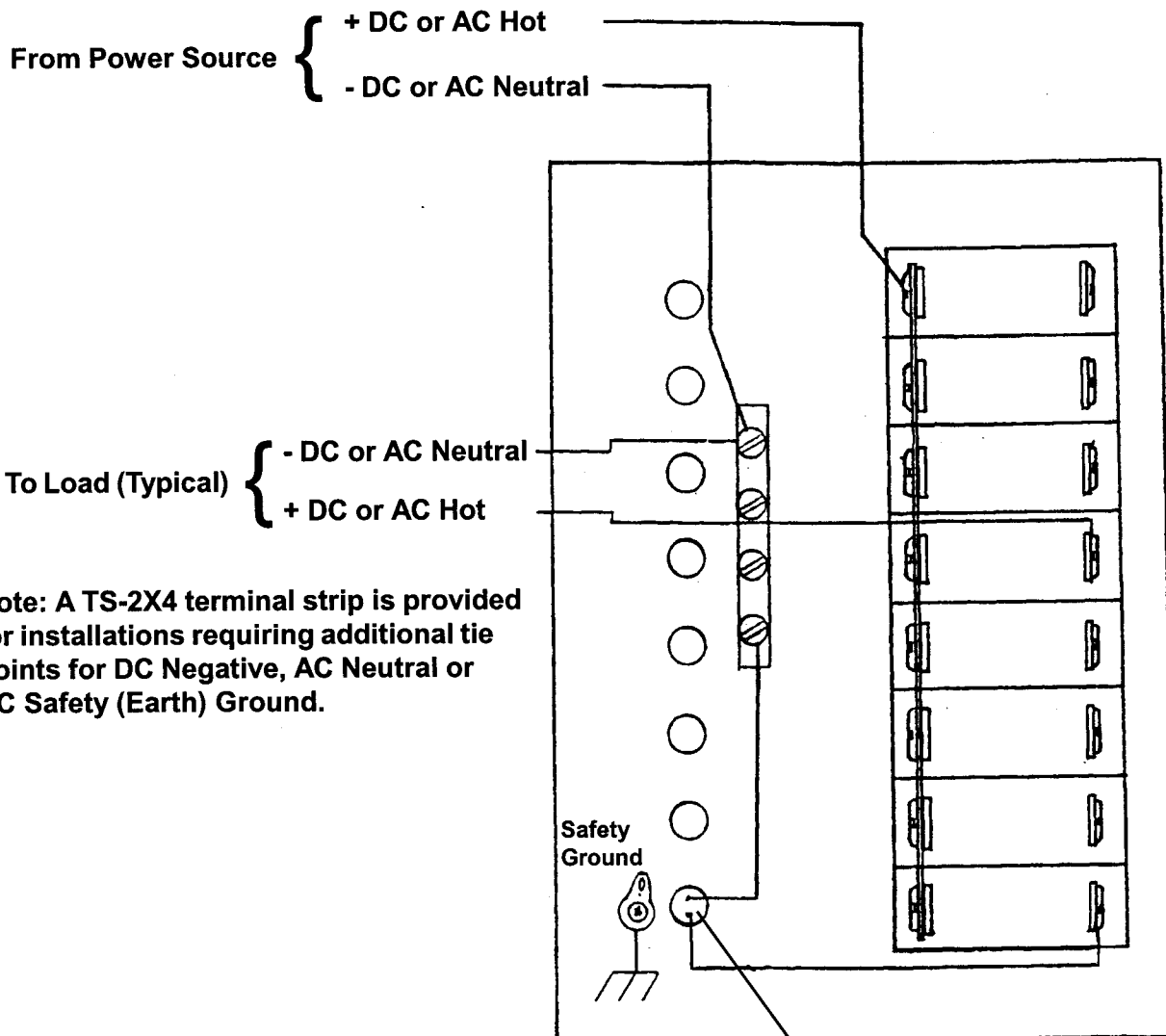


ACCY-I, ACCY-IX, ACCY-IB, ACCY-IBX

Wiring Diagram and Installation Notes



Note: A TS-2X4 terminal strip is provided for installations requiring additional tie points for DC Negative, AC Neutral or AC Safety (Earth) Ground.

Lights installed on model ACCY-IX only.
 Red Lights: 12 or 24 VDC
 Amber Lights: 115 or 230 VAC

IMPORTANT INSTALLATION NOTES

1. This panel may be used for AC or DC but not both. Mixing voltages will result in damage to the panel and/or powered equipment. (Note: DC lights are installed standard on ACCY-IX; the panel must be factory modified with AC lights for use in an AC application. Contact the factory for more information.)
2. If used in an AC application, please note: 40 and 50 amp breakers are rated to a maximum of 120 VAC line-to-neutral or 240 VAC line-to-line. They are not rated for 240 VAC line-to-neutral systems.
3. The maximum current capacity of the installed bus bar is 50 amps.
4. See the reverse of this sheet for important information regarding panel wiring to conform to USCG regulations and ABYC standards.

D-ACCY-I
 As of July 2001



U.S.A. HEADQUARTERS
 P.O. Box 1306, Newport Beach, CA 92663
 Phone: 714-751-0488 Fax: 714-957-1621
 E-Mail: sales@newmarpower.com

ELECTRONIC POWER PRODUCTS
 COMMUNICATION • NAVIGATION
www.newmarpower.com

EURO WAREHOUSE
 Phone: +31-35-603-2494 Fax: +31-35-603-2149
 E-Mail: sales@newmarpower.com