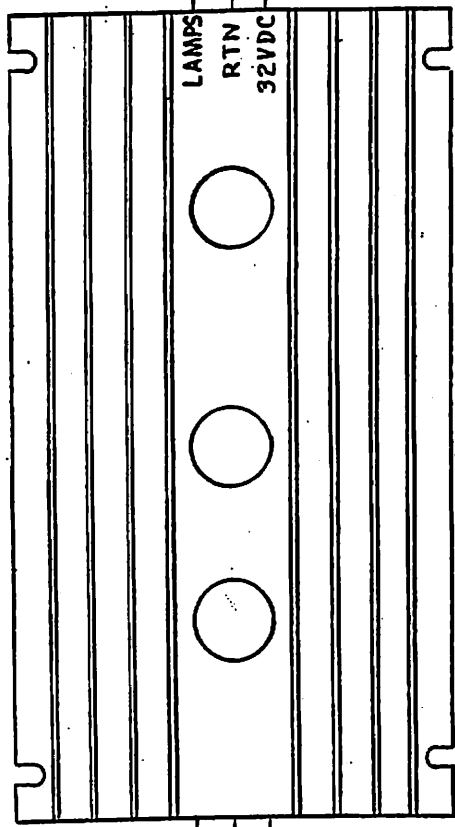
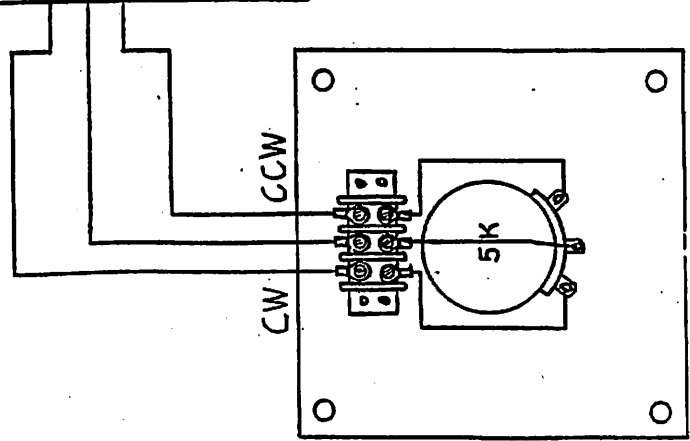


100WATTS CONTINUOUS DISSIPATION

MAXIMUM LOAD
 8 AMPS AT 12-24 VDC
 4 AMPS AT 32 VDC

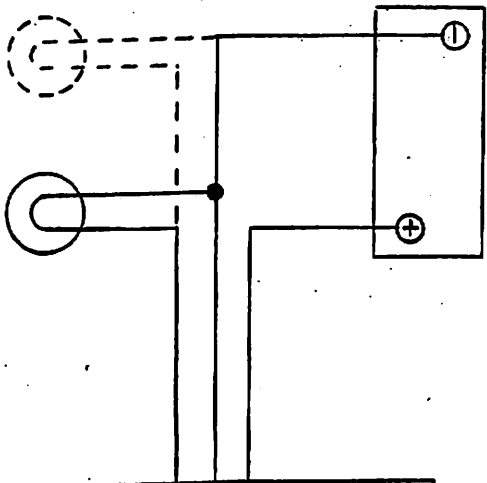


LAMP DIMMER
 MODEL 32-0-32-4
 EXTERNAL CONNECTIONS



OPTIONAL
 LAMP DIMMER CONTROL
 PANEL
 5-12-92

12 TO 32 V. DC
 BATTERY SUPPLY
 (NOTE POLARITY)



NEWMAR[®]
 ELECTRONIC POWER PRODUCTS
 COMMUNICATION • NAVIGATION
 www.newmarpower.com

U.S.A. HEADQUARTERS
 P.O. Box 1306, Newport Beach, CA 92663
 Phone: 714-751-0488 Fax: 714-957-1621
 E-Mail: sales@newmarpower.com

EURO WAREHOUSE
 Phone: +31-35-603-2494 Fax: +31-35-603-2149
 E-Mail: newmareuro@newmarpower.com

D320324---

Panel Wiring Notes

All wiring to and from your NEWMAR electrical panel should conform to USCG 33 CFR 183-1 and ABYC Standards E8 (AC Systems on Boats) or E9 (DC Systems on Boats).

For copies of these documents contact:

Superintendent of Documents
Government Printing Office
Washington DC 20402

Request 33 CFR 183, Subpart 1 .

American Boat and Yacht Council
3069 Soloman's Island Road
Edgewater, MD 21037

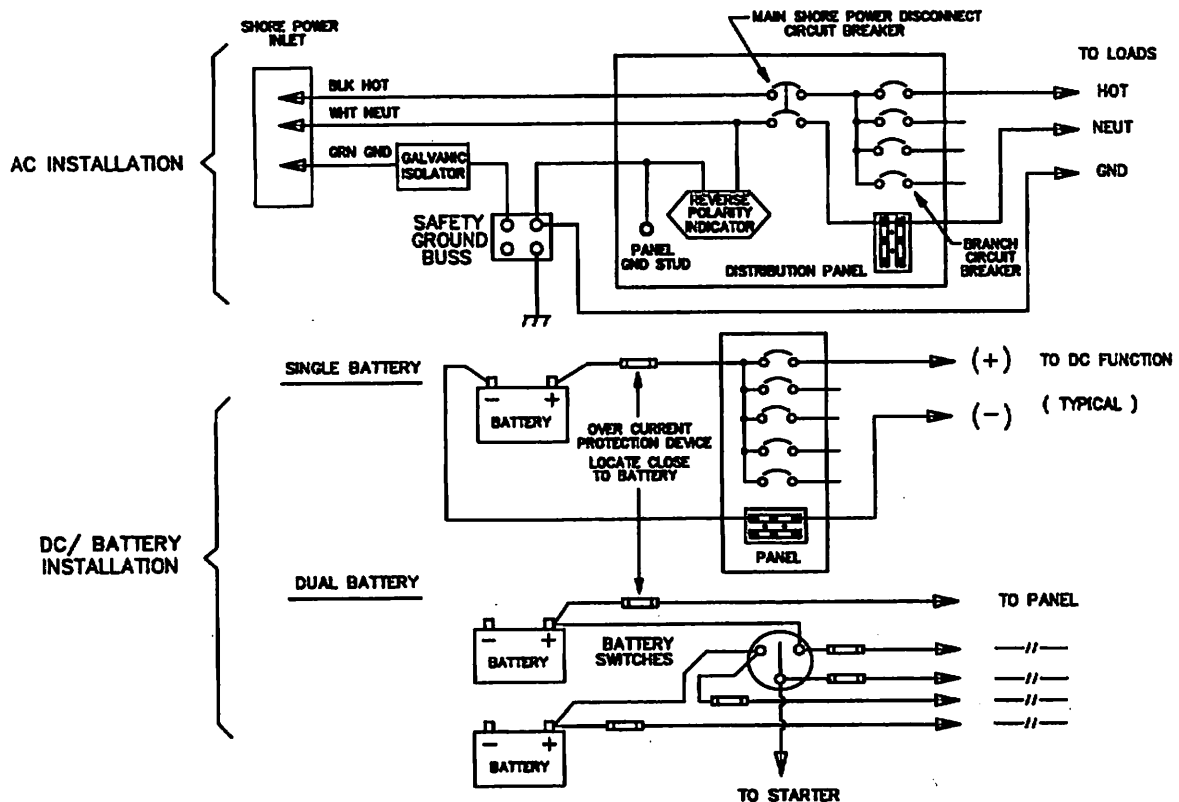
Request: Standards and Recommended
Practices for Small Craft
AC Systems - Section E8
DC Systems - Section E9

CAUTION: This installation should only be performed by a competent marine electrician or someone thoroughly familiar with marine electrical systems.

Allowable Amperage of Conductors when 1 to 2 Conductors are bundled, 105° C Insulation, per ABYC E8, page 14.

Conductor Size AWG	Outside Engine Spaces	Inside Engine Spaces
18	20	17
16	25	21.3
14	35	29.8
12	45	38.3
10	60	51
8	80	68
6	120	102

Note: These illustrate typical installations—consult ABYC Section E8 or E9 for your specific system



M-PNLWIR-D
As of July 2004



P.O. Box 1306
Newport Beach,
California 92663

ELECTRONIC POWER PRODUCTS
COMMUNICATION • NAVIGATION
www.newmarpower.com

Phone: 714-751-0488
Fax: 714-957-1621
E-Mail: sales@newmarpower.com