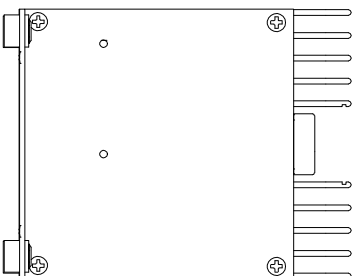
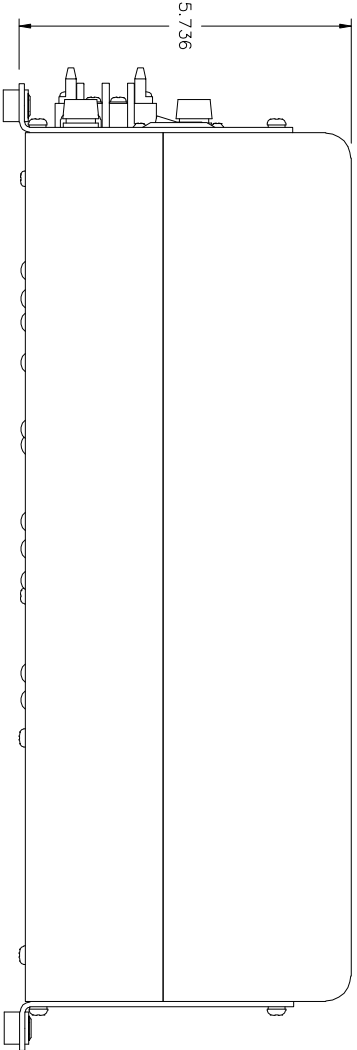
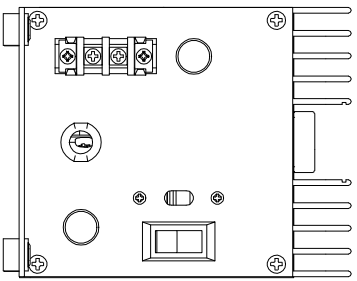
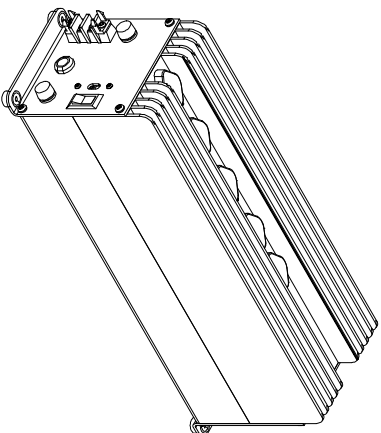
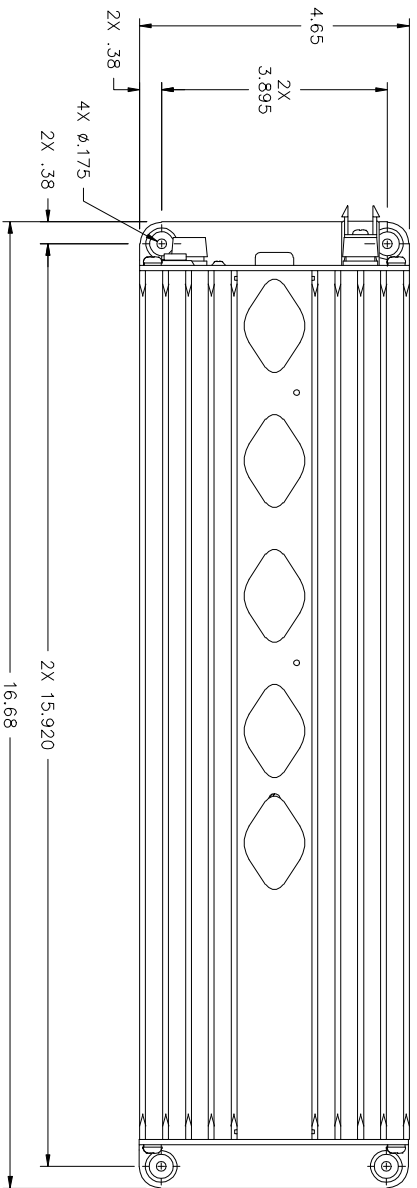


THIS DOCUMENT AND THE INFORMATION CONTAINED HEREIN IS UNCLASSIFIED EXCEPT WHERE SHOWN OTHERWISE AND SHALL NOT BE USED OR DISCLOSED TO OTHERS, IN WHOLE OR IN PART, WITHOUT THE WRITTEN AUTHORIZATION OF THE ISSUING OFFICE.



SCALE: 1/2

\\Newmarprod\shared\OAS\SPWR SUPPLIES\OAS 115-12-20A\15462-0N1.dwg, 3/17/2011 11:10:40 AM, DWG TO PDF JOB, 13331411

March 17 11y 10: 40am

ELECTRONIC MEDIA: MDT-2008: 15462-0N1.DWG

NEWMAR	
ROUTINE AND ROUTING	
115-12-20A OAS SUPPLY	
SCALE	SIZE
1/2	B
DRAWING NO. 15462-01 NC	
REV. 1	
SHEET 1 OF 1	