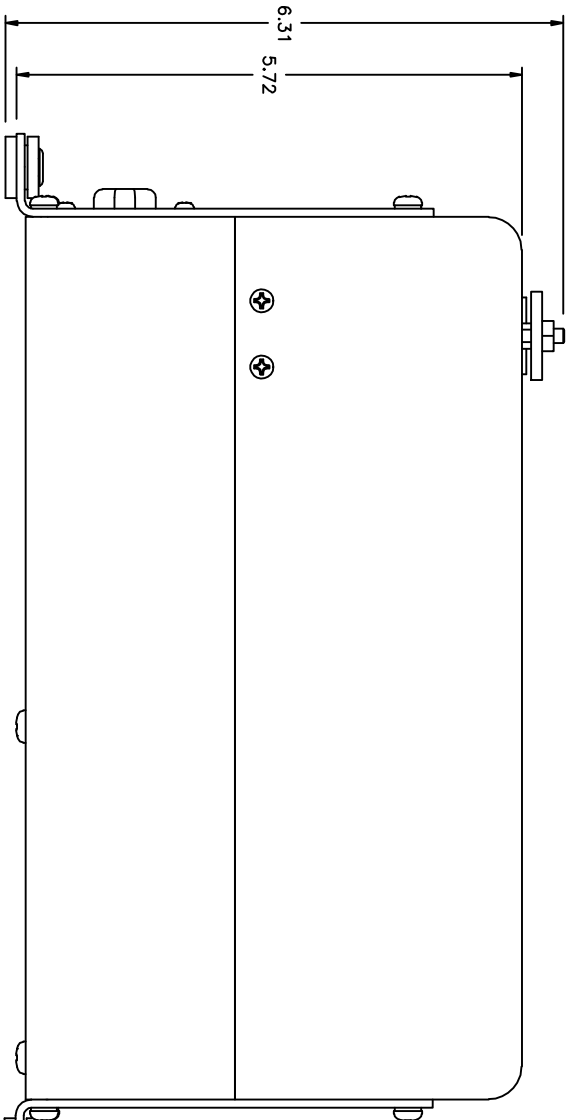
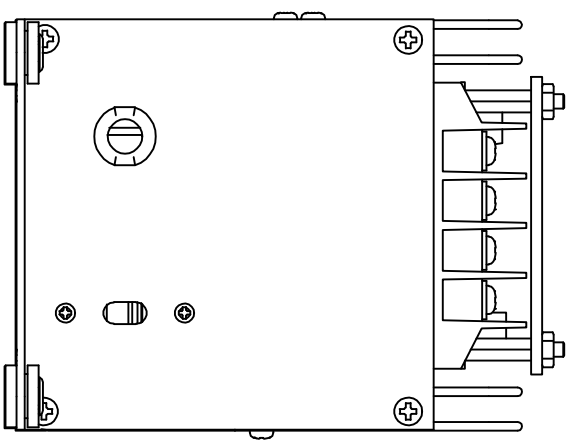
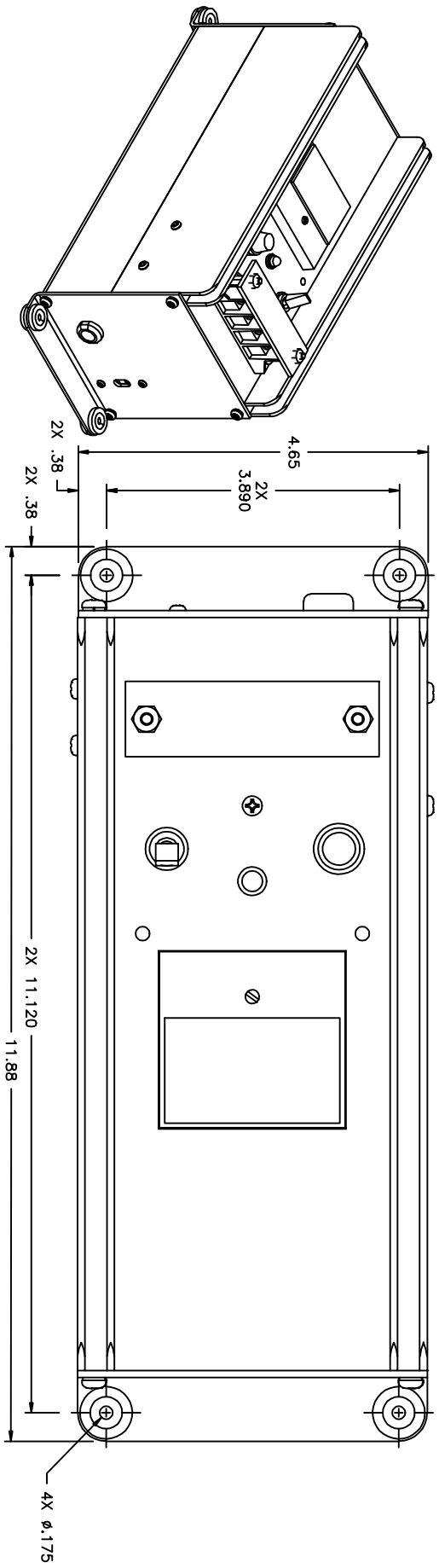


THIS DOCUMENT AND THE INFORMATION CONTAINED HEREIN IS PROVIDED TO NEWARK CORPORATION AND SHALL NOT BE USED OR DISCLOSED TO OTHERS, WITHOUT THE EXPRESS WRITTEN AUTHORIZATION OF NEWARK CORPORATION.



SCALE: 3/4
 P/N OM15368-0
 September 23 10y 3:37pm

NEWARK	
QTYLINE AND MOUNTING	
TYPE 5-BAY BATT CHARGER	
ABC (P/N 440-0430-1)	REV.
SCALE SIZE	DRAWING NO.
NOTED B	15368-QNC