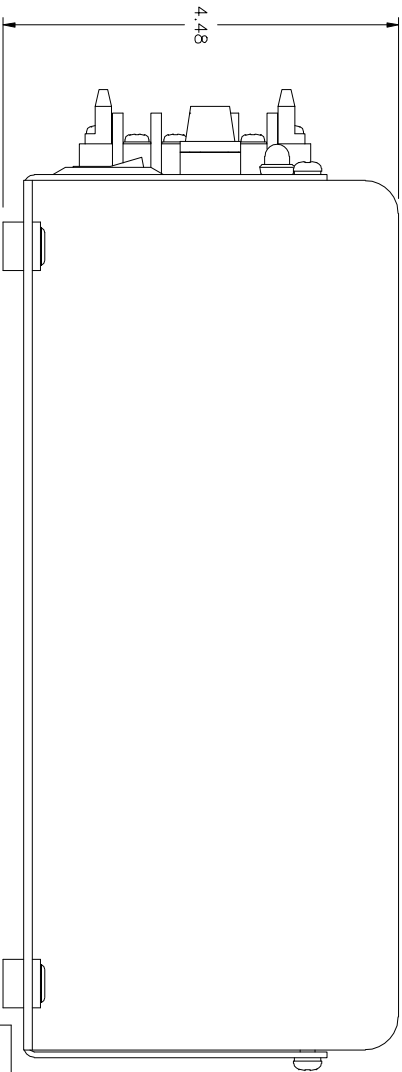
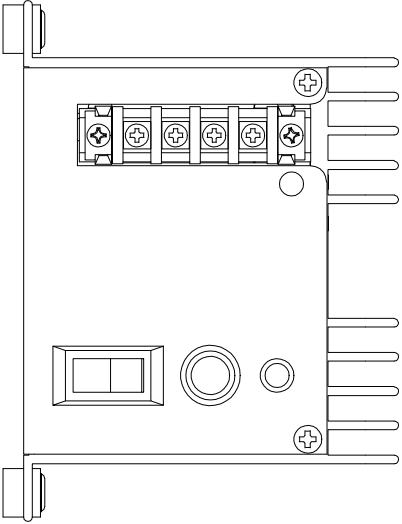
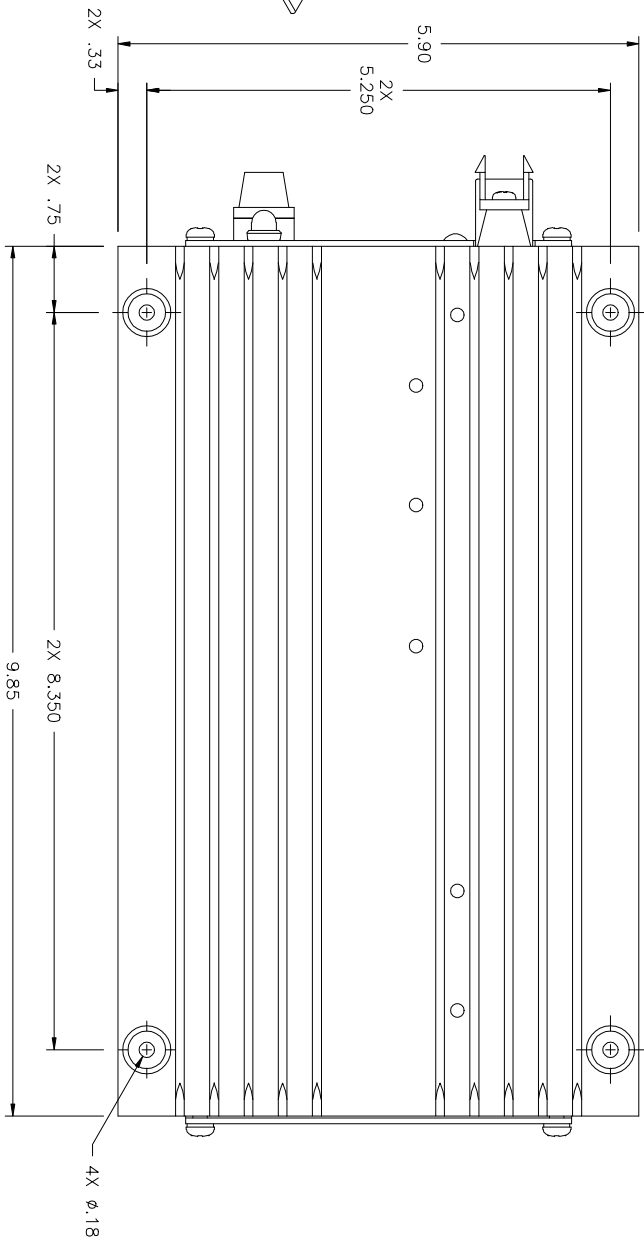
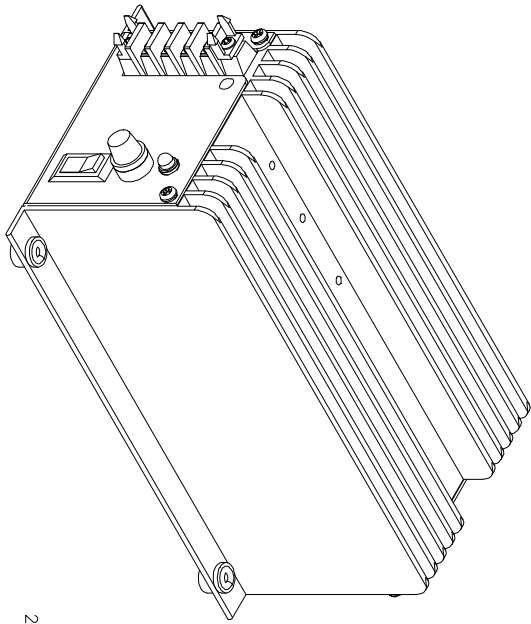


THIS DOCUMENT AND THE INFORMATION CONTAINED HEREIN IS UNCLASSIFIED IN WHOLE OR IN PART, WITHOUT THE WRITTEN AUTHORIZATION OF FEDERAL COMMISSION.



\\Newmar\pdc3\1released\OAW\S\DC-DC\OAW_32-12-15\13563-0N1.dwg, 10/13/2010 2:03:09 PM, DWG To PDF.pc3, 12/17/06

SCALE: 3/4
October 13 10y 11:17am

ELECTRONIC MEDIA: MDT-2008:

13563-0N1.DWG

NEWMAR

OUTLINE AND DIMENSIONS
32-12-15-ND-DC-CONVTR
SCALE: 3/4 (FN 420-3535-D) REV.
NOTE: B 13563-01NC
SHEET 1 OF 1