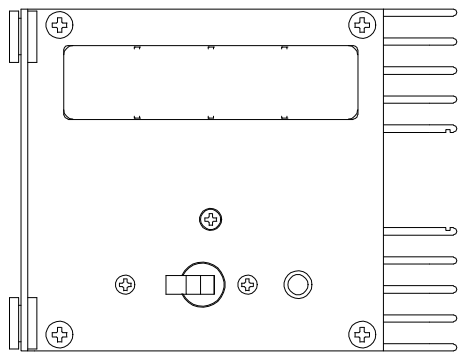
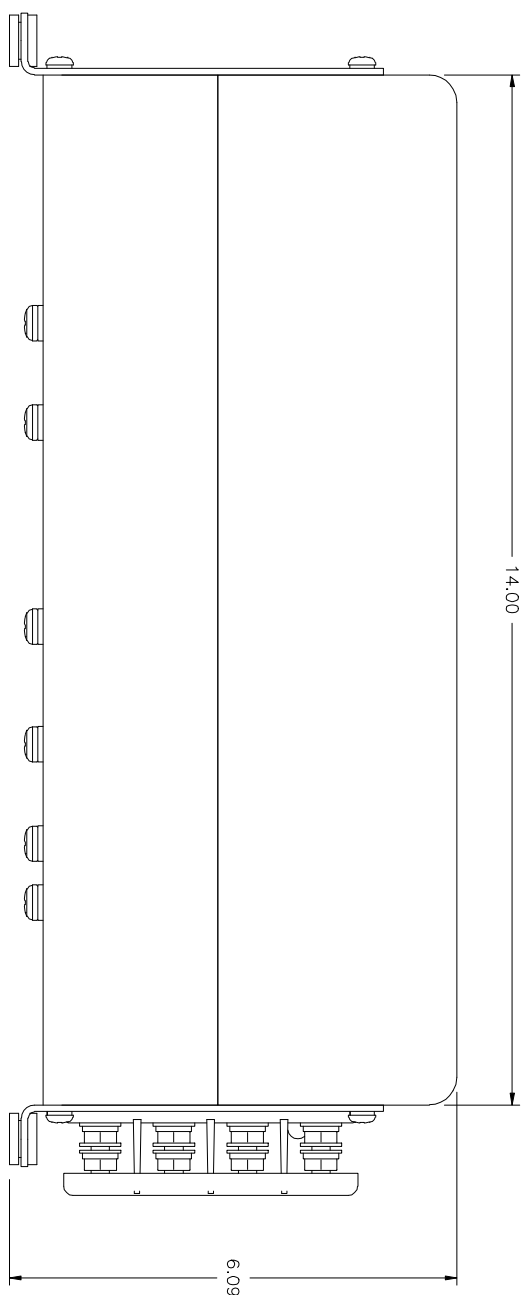
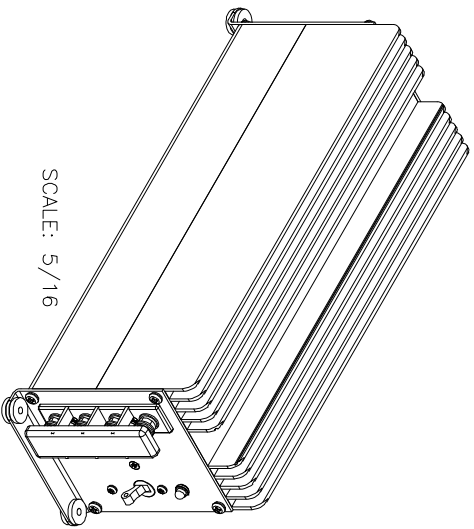
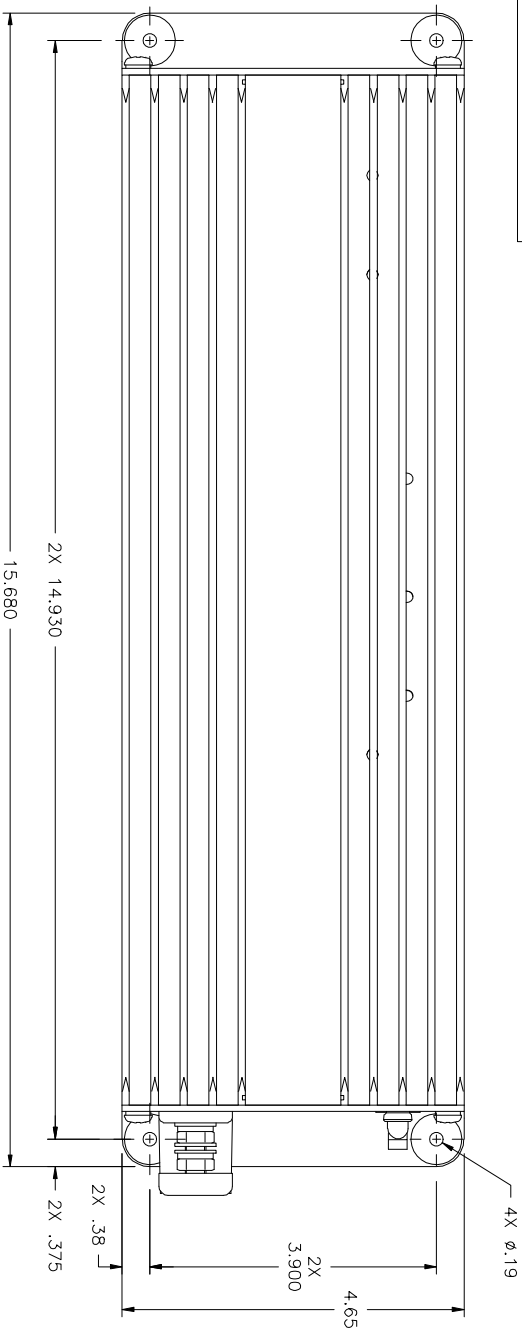


THIS DOCUMENT AND THE INFORMATION CONTAINED HEREIN ARE UNCLASSIFIED EXCEPT WHERE SHOWN OTHERWISE AND SHALL NOT BE USED OR DISCLOSED TO OTHERS WITHOUT THE WRITTEN PERMISSION OF NEWMAIR CORPORATION.



SCALE: 5/8

NEWMAIR			
OUTLINE AND MOUNTING,			
SCALE	SIZE	DRAWING NO.	REV.
5/8	B	13562-0	NC
SHOWN			SHEET 1 OF 1